

## PKGPN - 880

### SPECIFICATIONS

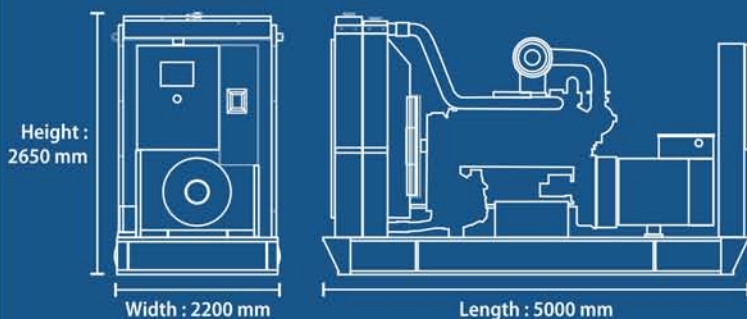
<b>GENSET MODEL :</b>	PKGPN - 880
Electrical Output	880 kWe
<b>ENGINE :</b>	
Engine Model	PERKINS 4016-61TRS1
Engine Power	912 kWm
Number of Cylinders	16 – V Engine
Induction System	Turbocharged
Combustion System	Spark Ignited
Engine Speed	1500 rpm
Bore and Stroke	160 mm x 190 mm
Displacement	61.12 litres
Compression Ratio	12:1
Lubrication Oil Sump Capacity	286 litres
Total Coolant Capacity	95 litres
Gas Consumption at 100% Load	235.9 Sm <sup>3</sup> /hr
<b>ALTERNATOR :</b>	
Alternator Model	Stamford / Leroy Somer / Mecc Alte / Marelli
<b>PANEL :</b>	
Controller	Deep Sea / Woodward
Power Panel Type	Manual / AMF / ATS
Protection Gear	MCCB / ACB - Schneider / Siemens / ABB
<b>GENSET ACCESSORIES :</b>	
Gas Train	Kromschroder / Dungs
Silencer	Residential Type
Automatic Oil Fill Device	Murphy
Cooling System	Radiator / Heat Exchanger / Table Top Cooler
<b>OPTIONAL FEATURES AVAILABLE :</b>	
Synchronizing Panel	Genset-Genset / Genset-Grid
Combined Heat and Power (CHP)	Steam / Hot Water / Chilled Water



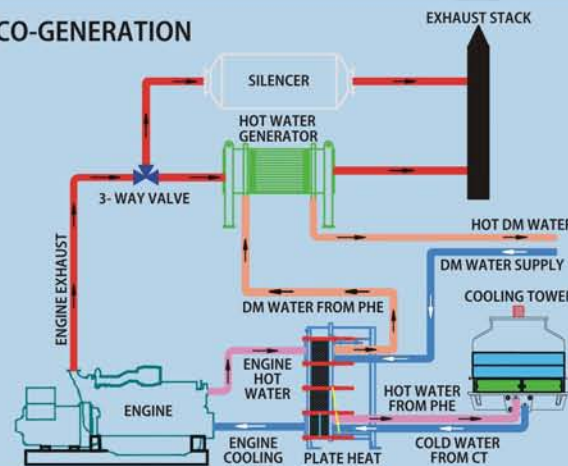
**NOTES:** • \* Calorific value considered is 8520 Kcal/m<sup>3</sup> • Alternators : Self excited with class H insulation, IP23 protection, 1500 rpm, 50 Hz, 3 phase, 0.8 / 1 pf, 415 V • All figures are based on performance at 100% load • As a process of continual improvement, above data is subject to change without prior notice. • For any specific requirement / technical information, please contact Pai Kane Sales Department.

### GENSET DIMENSIONS

Weight : 12500 kgs.



### CO-GENERATION



E-mail: [exports@paikane.co.uk](mailto:exports@paikane.co.uk)

Web.: [www.paikane.com](http://www.paikane.com)

### Power Engineering Sales Ltd. - UK

Victory House, 400 Pavillion Drive,  
Northampton Business Park,  
Northampton NN4 7PA,  
United Kingdom.

Tel.: +44 (0)1604 521440  
Fax: +91 832 225 5904

**INDIA - Works Address:**  
58/A, Tuem Industrial Estate,  
Tuem, Pernem - 403 512,  
Goa, India.

Tel.: +91 832 306 1000  
Fax: +91 832 220 1688

**INDIA - Corporate Office:**  
503-504, Cosmos Centre, Morod,  
Mhapsa, Bardez - 403 507,  
Goa, India.

Tel.: +91 832 329 2844/45/46 & 47  
Fax: +91 832 225 5904