

PKGPN - 1015

SPECIFICATIONS

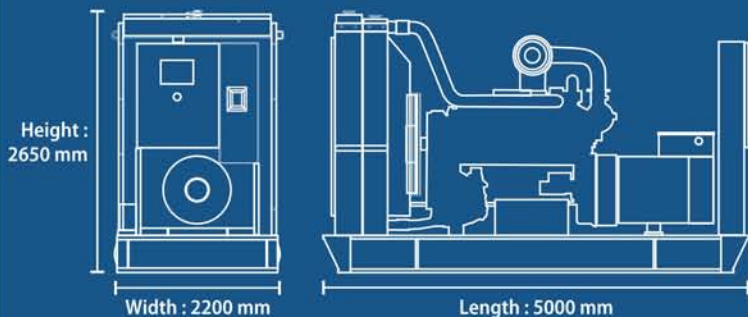
GENSET MODEL :	PKGPN - 1015
Electrical Output	1015 kW _e
ENGINE :	
Engine Model	PERKINS 4016-61TRS2
Engine Power	1042 kW _m
Number of Cylinders	16 – V Engine
Induction System	Turbocharged
Combustion System	Spark Ignited
Engine Speed	1500 rpm
Bore and Stroke	160 mm x 190 mm
Displacement	61.12 litres
Compression Ratio	12:1
Lubrication Oil Sump Capacity	286 litres
Total Coolant Capacity	95 litres
Gas Consumption at 100% Load	266.36 Sm ³ /hr
ALTERNATOR :	
Alternator Model	Stamford / Leroy Somer / Mecc Alte / Marelli
PANEL :	
Controller	Deep Sea / Woodward
Power Panel Type	Manual / AMF / ATS
Protection Gear	MCCB / ACB - Schneider / Siemens / ABB
GENSET ACCESSORIES :	
Gas Train	Kromschroder / Dungs
Silencer	Residential Type
Automatic Oil Fill Device	Murphy
Cooling System	Radiator / Heat Exchanger / Table Top Cooler
OPTIONAL FEATURES AVAILABLE :	
Synchronizing Panel	Genset-Genset / Genset-Grid
Combined Heat and Power (CHP)	Steam / Hot Water / Chilled Water



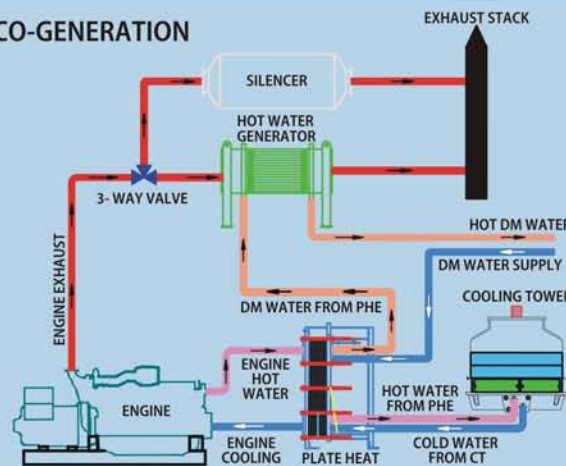

NOTES: • * Calorific value considered is 8520 Kcal/m³ • Alternators : Self excited with class H insulation, IP23 protection, 1500 rpm, 50 Hz, 3 phase, 0.8 / 1 pf, 415 V • All figures are based on performance at 100% load • As a process of continual improvement, above data is subject to change without prior notice. • For any specific requirement / technical information, please contact Pai Kane Sales Department.

GENSET DIMENSIONS

Weight : 12500 kgs.



CO-GENERATION



E-mail: exports@paikane.co.uk

Web.: www.paikane.com

Power Engineering Sales Ltd. - UK

Victory House, 400 Pavillion Drive,
Northampton Business Park,
Northampton NN4 7PA,
United Kingdom.

Tel.: +44 (0)1604 521440
Fax: +91 832 225 5904

INDIA - Works Address:
58/A, Tuem Industrial Estate,
Tuem, Pernem - 403 512,
Goa, India.

Tel.: +91 832 306 1000
Fax: +91 832 220 1688

INDIA - Corporate Office:
503-504, Cosmos Centre, Morod,
Mhapsa, Bardez - 403 507,
Goa, India.

Tel.: +91 832 329 2844/45/46 & 47
Fax: +91 832 225 5904